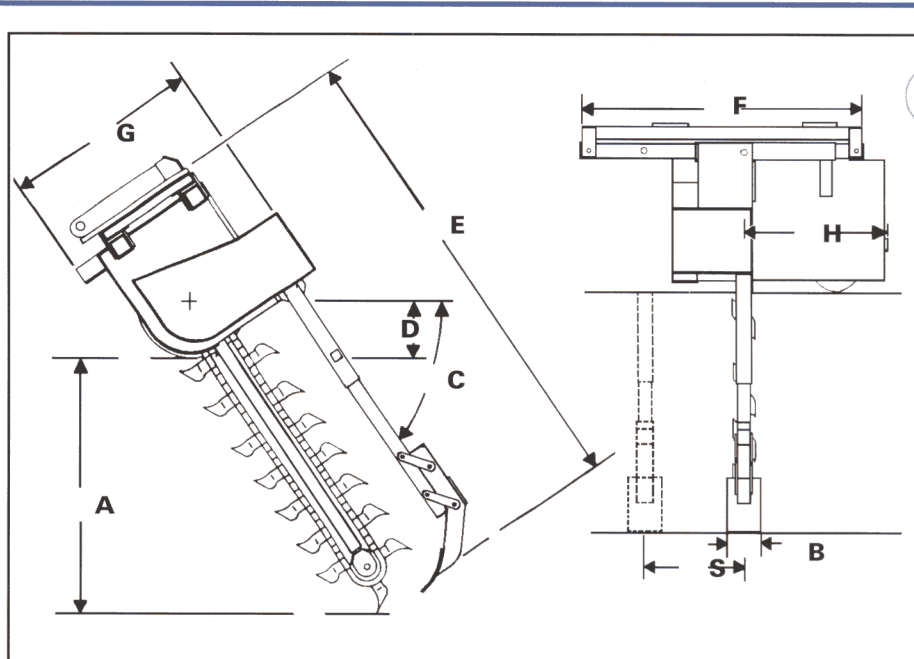


625 Trencher

FEATURES & BENEFITS

OVER 35 YEARS of PRODUCTIVITY, RELIABILITY and DURABILITY.

- Attaches to skid-steer loaders and is equipped with two position side shift capabilities with an infinite-position hydraulic side shift option.
- Double standard 2" anti-back-flex chain for tooth pattern versatility.
- High torque hydraulic motor for maximum digging power and heavy duty chain reduction drive system to amplify the torque to the cutting chain.
- Maintenance free sealed idler bearing.
- Replaceable headshaft driven auger for spoil removal.
- Boom lengths available from 30" to 48" with 6" to 12" chain widths to match your job's specifications.
- Heavy duty wear strips on boom for longer life.
- Pivoting crumber shoe to assist with soil removal.
- BRADCO trenchers are covered by a *NEW* 2 year limited warranty.



SPECIFICATION

DESCRIPTION	BOOM SIZE			
	30"	36"	42"	48"
A. Trench Depth w/Auger @ 65° Angle	30"	36"	42"	48"
B. Trencher Chain Widths Available	6"	6"	6"	6"
	8"	8"	8"	8"
	10"	10"	10"	-
	12"	12"	-	-
C. Recommended Trenching Angle	65°	65°	65°	65°
D. Headshaft Height	8"	8"	8"	8"
E. Overall Trencher Length	66"	73"	79"	86"
F. Overall Trencher Width	53"	53"	53"	53"
G. Overall Trencher Height	32"	32"	32"	32"
H. Spoil Discharge Reach	18"	18"	18"	18"
S. Side Shift, Right of Center	17"	17"	17"	17"
Distance From Centerline Drive Sprocket to Back of Mounting Frame	16"	16"	16"	16"
Hydrostatic System:				
GPM Requirements..... Min. 14 / Max. 22				
Operating Pressure..... 2000 - 3000 PSI				
Approx. Overall Shipping Weight (3' x 6')..... 1040#				

Specifications and design are subject to change without notice and without liability therefore. Whenever applicable specifications are in accordance with SAE standards.

Get Attached®



BRADCO

Attachment Technologies, Inc.
 BRADCO®/McMILLEN™
 P.O. Box 266 · Delhi, Iowa 52223 USA
 563 922 2981 · 800 922 2981
 Fax 563 922 2700 · www.get-attached.com